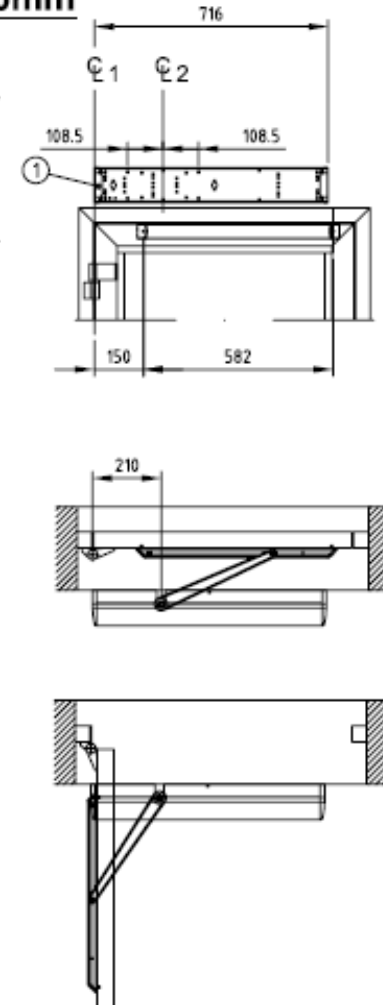
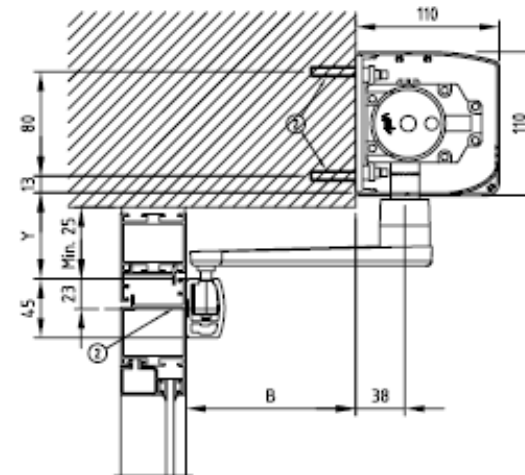
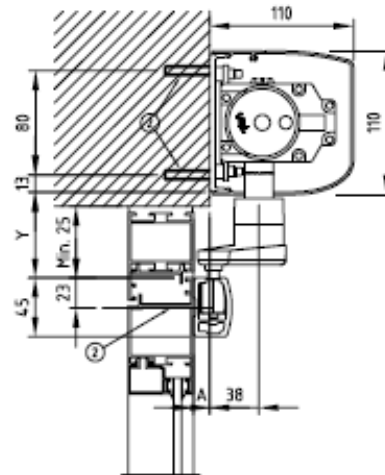
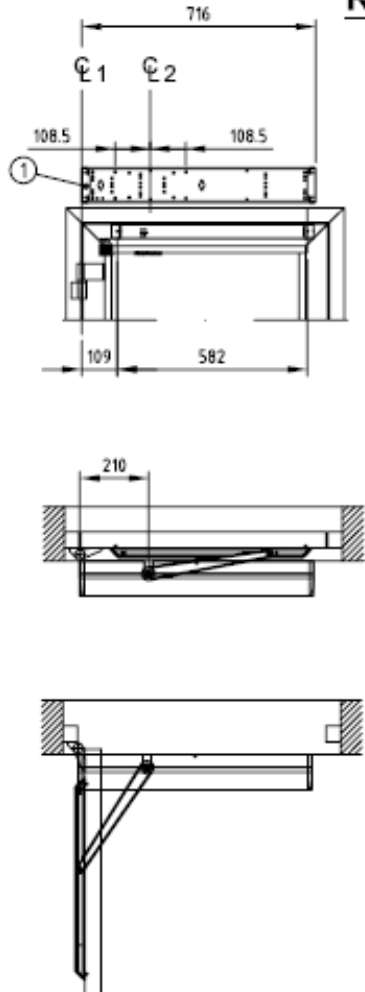




**Reveal 0 - 130mm**

**Reveal 131 - 200mm**



- CL1 Hinges
- CL2 Operator drive shaft
- A Reveal 0 - 130mm
- 1 Cable Inlet
- 2 Reinforcements required in door leaf and at fixing holes

- CL1 Hinges
- CL2 Operator drive shaft
- B Reveal 131 - 200mm
- 1 Cable Inlet
- 2 Reinforcements required in door leaf and at fixing holes

Y=	Shaft extension
46	0
66	20
96	50
116	70

Note Low speed closing and opening distance will increase.  
 Max. door opening = 95°  
 Min. door width = 800mm

Scale 1:5, 1:20

Customer:	EntreMatic ref:
Door Id:	Date:
Project No:	Sign:

**EMSW**  
 Arm system Pull  
 Swing door operator

**ENTRE MATIC**

5 173670