



RTJ SOLUTIONS LIMITED
The Automatic Choice

Swing Door Operator EMSW



The most versatile and reliable operator

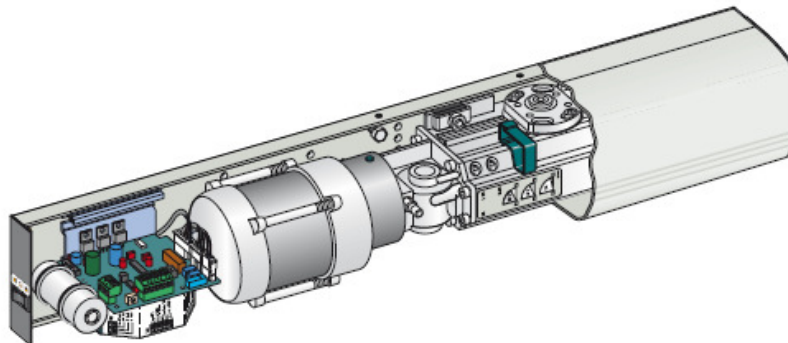
The EntreMatic EMSW is an electro-hydraulic operator designed for a wide variety of applications. It is suitable for almost all types of external and internal swing doors. The operator can be mounted on either side of the door for pull or push action and is suitable for single or double doors fitted with butt hinges or pivots. The EMSW is just as suitable for disabled access, nursing homes and hospital corridors – where the requirements are for flexible operation and reliability – as it is for department stores, banks, hotels etc. with high density traffic and difficult operating conditions.

Reliable and strong

The EntreMatic EMSW has been developed to cope with tough conditions. The motor operates quietly and is completely silent during the hold open time. The door can be held permanently open by using a programme selector. The electronics and the motor are discreetly housed in an attractive cover.

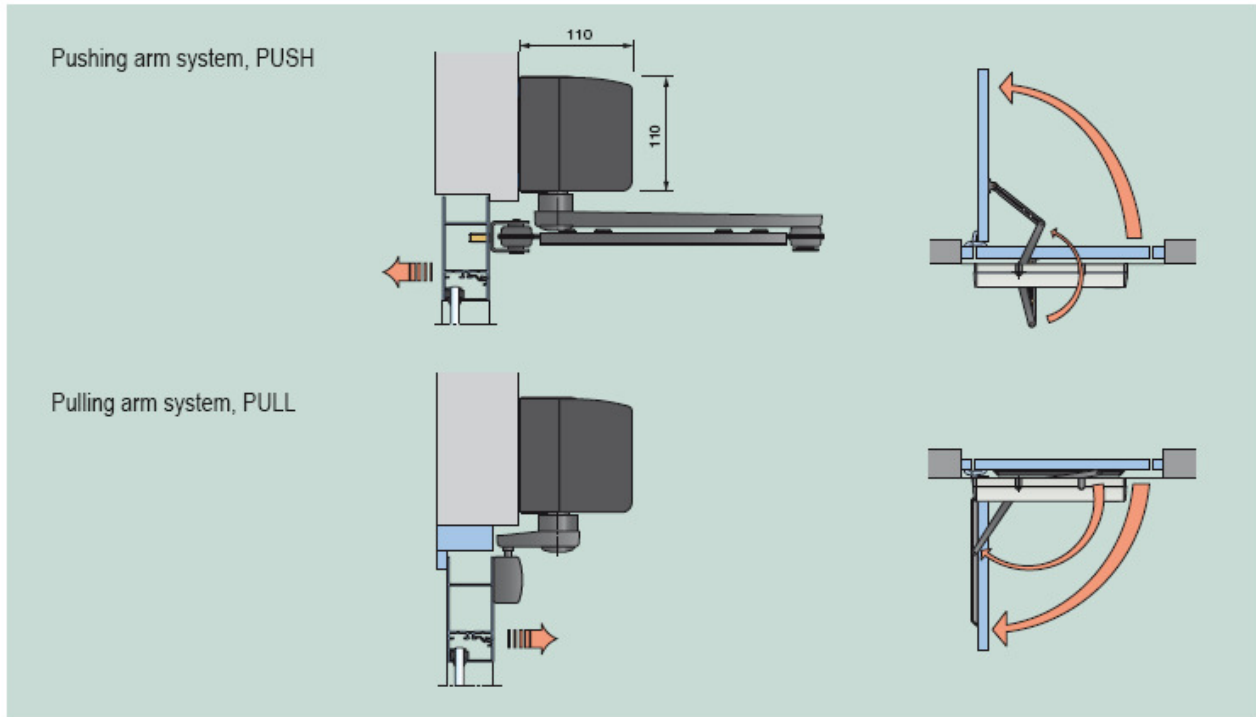
Safety is a trademark

The EntreMatic EMSW offers a high degree of safety. The operator can be combined with the full range of EntreMatic safety units. The door is then prevented from opening or closing on to somebody or something obstructing the door.



ENTRE  **MATIC**

RTJ Solutions Limited
10a-10c Forest Corner Farm
Hangersley – Nr Ringwood
Hampshire BH24 3JW
Tel: 01425 489583 · Fax: 01425 489206 · info@rtjsolutions.com
Web: www.rtjsolutions.com



Design

The compact EntreMatic EMSW is supplied for different doors and customer requirements. The operator works electro-hydraulically. It opens with motor and closes with spring. The opening and closing speeds can be varied individually. The motor, oil pump and hydraulic unit are combined into a compact unit mounted next to the control unit within the cover.

The operator is connected to the door leaf with either a pushing or a pulling arm system.

Models

- EMSW – for single doors – one drive unit and one control unit fitted under a standard length cover.
- EMSW-Special – for single doors – one drive unit and one control unit fitted under a cover with optional length.
- EMSW-2 – for double doors – two drive units with control unit and slave control unit fitted under a cover with optional length for parallel operation of two doors.

Arm systems

- PUSH – Pushing arm system, used for fire approved doors where the operator is installed on the wall on the opposite side of the door swing. Door opening angle adjustable up to 120°.
- PULL – Pulling arm system where the operator is installed on the wall on the same side as the door swing. Door opening angle adjustable up to 120°.
- Shaft extensions – Allow the operator to be fitted higher on the wall or the arm lower on the door leaf.

Fire doors

The EMSW offers fire rating and is approved for fire door installations by the German and Swedish authorities.

Standard equipment

- Cover in clear anodized aluminum.
- Control unit CSDA – with possibility to connect manual and automatic activation units, programme selector PS-3A and electric striking plates.
- Telescopic extension arm
- Shaft extension
- Black SAS-F PUSH/PULL arm system

Accessories

- Coordination unit COOA which ensures that rebated doors close in correct order.
- EntreMatic's range of manual and automatic activation units.
- Impulse and presence detection sensors.
- Arm stop.

Technical data

- Power supply: 230 V AC, 50 Hz
- Weight of operator 11.5 kg
- Auxiliary voltage: 13-20 V DC
24 V DC
- Power consumption: max. 230 W
- Ambient temperature: -15° to +50°C
- Recommended max. door weight: 250 kg for door leaf width 1600 mm

Authority Approval

The EMSW meets requirements for door weights/widths stated in the:

- Controlled door closing, EN 1154 size 3 – 6
- Electrically powered hold open device for swing doors, EN 1155
- Coordination unit for rebated doors, EN 1158
- Türschliesser mit Öffnungsautomatik (Drehflügelantrieb), DIN 18263-4 AU Grösse 3 – 6
- ANSI/BHMA A156.10, A156.19
- UL325/CUL325
- SITAC 0166/99

